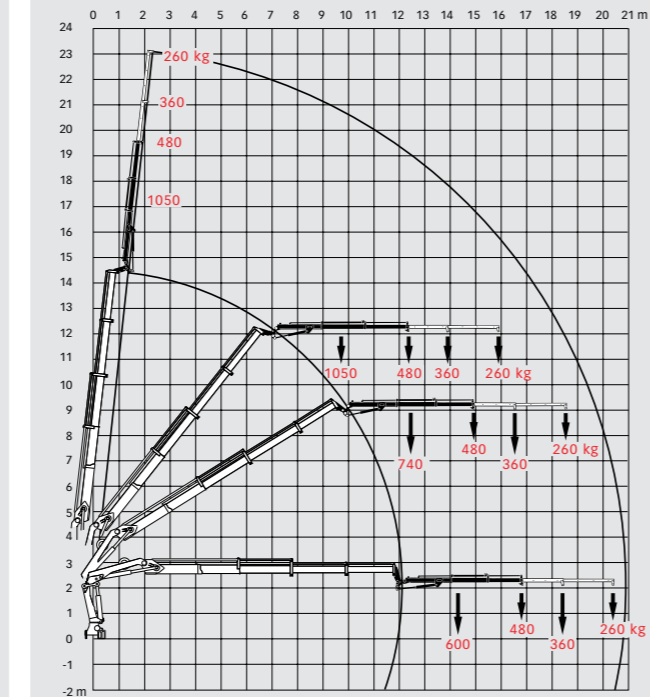
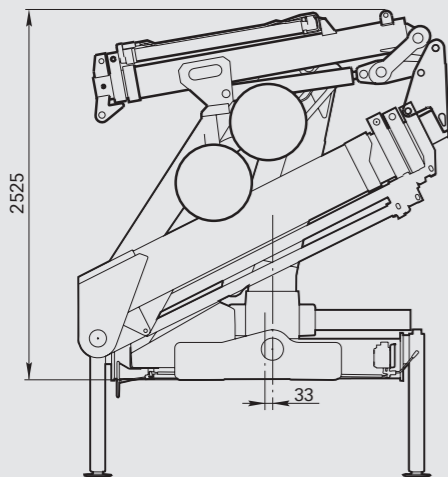
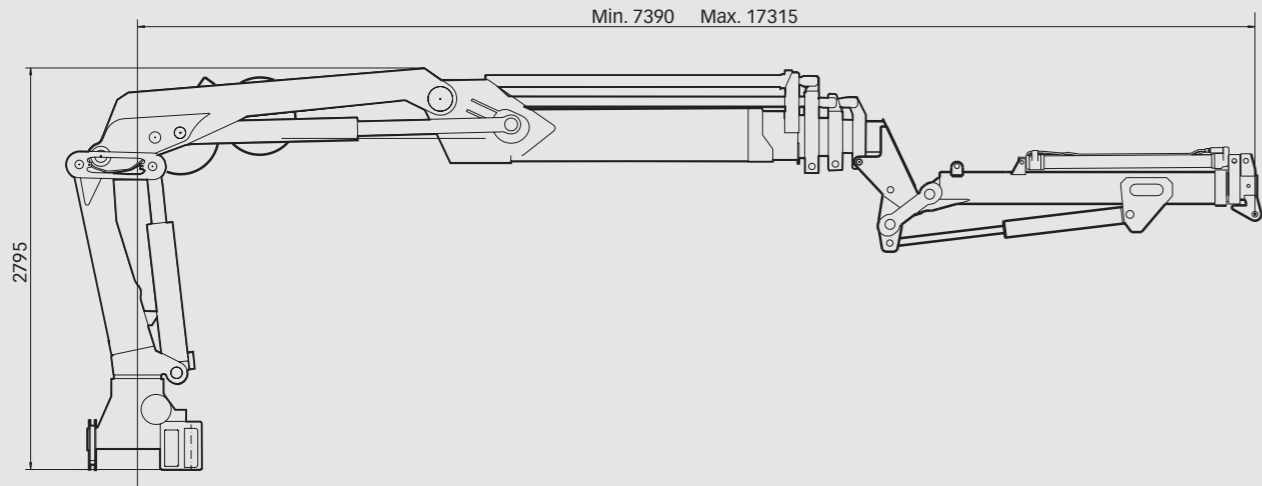
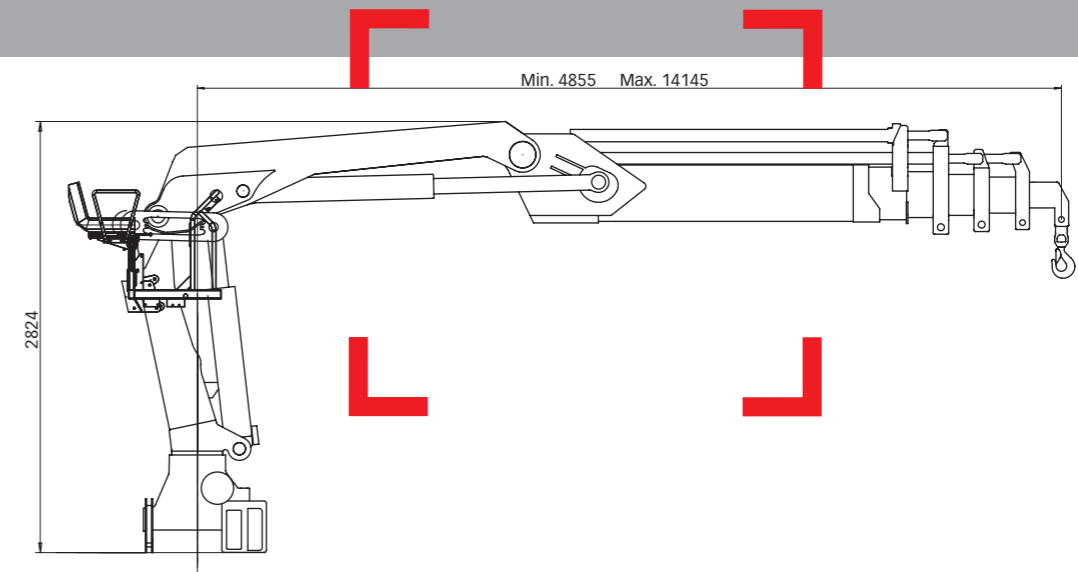


HIAB 220 C Basic data

> HIAB 220 C-4 jib 30



HIAB 220 C Capacity 21 tm



Basic data

Disclaimer

Hiab cranes has been built to meet the highest standards of safety and service life and has been thoroughly tested. Strength calculations for this model have been carried out in accordance with DIN 15018. Hiab's certified Quality Assurance System complies with the ISO 9001. Some of the items in our literature may be extra equipment. Certain applications may require an official permit. We reserve the right to change technical specifications without prior notice. Hiab cranes produced for EU-countries are CE-marked and comply with the European Standard EN 12999.

BD-220C-EN-EU_060818

HIAB 220 C Basic data

Technical data

	220 C-1	220 C-2	220 C-3	220 C-4	220 C-5
Max. lifting capacity (kNm)	208	190	185	181	177
Outreach - hydraulic extensions (m)	6.1	8.0	10.0	12.1	14.1
Outreach - manual extensions (m)	-	14.2	16.3	18.5	18.4
Outreach - jib (m)	-	-	15.3	17.3	-
Outreach / lifting capacity (m / kg)	2.8 / 7000	2.5 / 7000	2.7 / 7000	2.6 / 7000	2.6 / 7000
	4.5 / 4700	4.5 / 4300	4.5 / 4200	4.5 / 4100	4.5 / 4000
	6.0 / 3500	6.0 / 3200	6.0 / 3100	6.1 / 3000	6.1 / 2900
	-	7.8 / 2470	7.8 / 2300	7.8 / 2200	7.8 / 2100
	-	-	9.8 / 1850	9.8 / 1700	9.8 / 1600
	-	-	-	11.8 / 1430	11.8 / 1300
	-	-	-	-	13.8 / 1100
Outreach / Lifting capacity, with jib (m / kg)	-	-	12.3 / 850	14.3 / 600	-
	-	-	15.1 / 480	16.8 / 480	-
Slewing angle	406°	406°	406°	406°	406°
Height in folded position (mm)	2265	2265	2265	2265	2265
Width in folded position (mm)	2451	2451	2451	2487	2489
Installation space needed (mm)	909	909	909	909	990
Weight - "standard" crane without stabilizers (kg)	2030	2170	2320	2450	2560
Weight - stabilizer equipment (kg)	238 - 380	238 - 380	238 - 380	238 - 380	238 - 380
Weight - jib (kg)	-	-	368*	368*	-

* Incl. hose and pipe kit

HIAB 220 C-5

